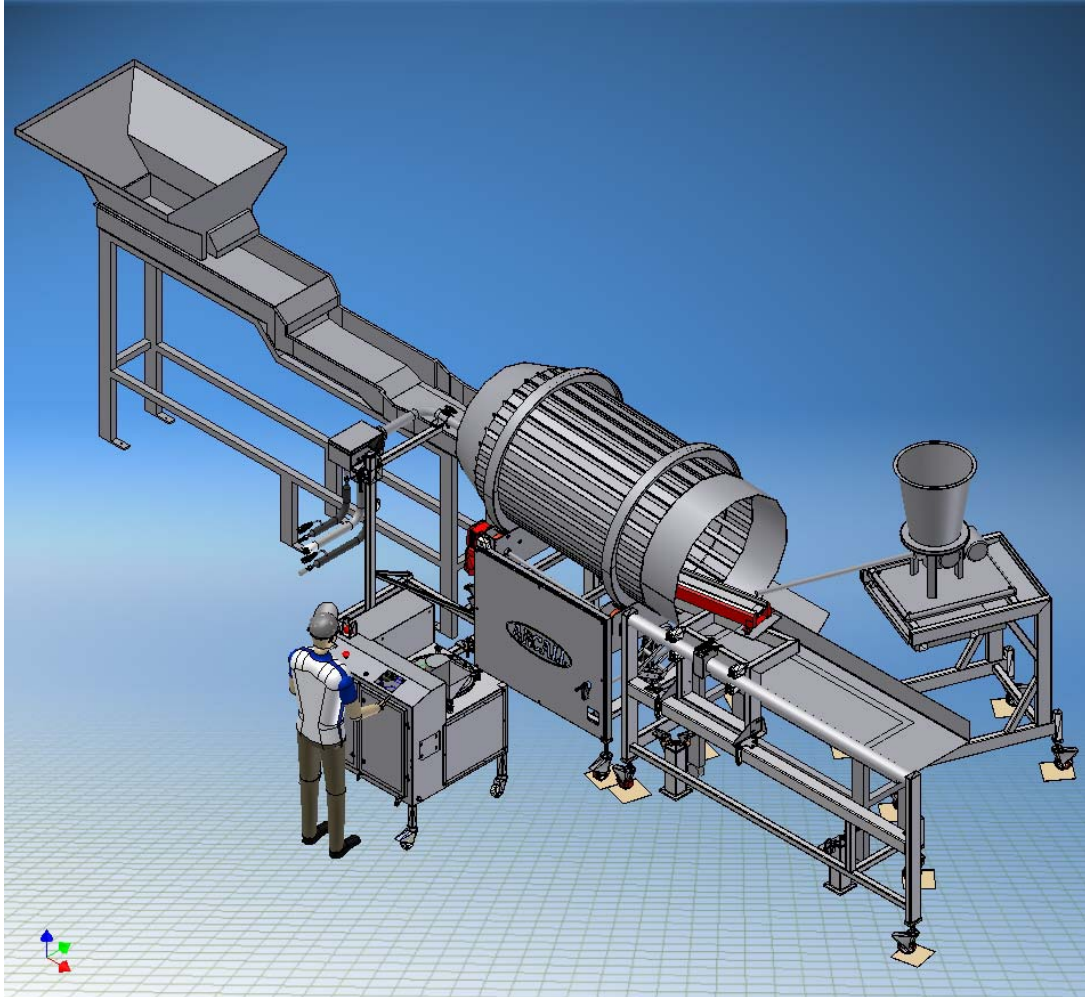


Snack Flavouring Systems



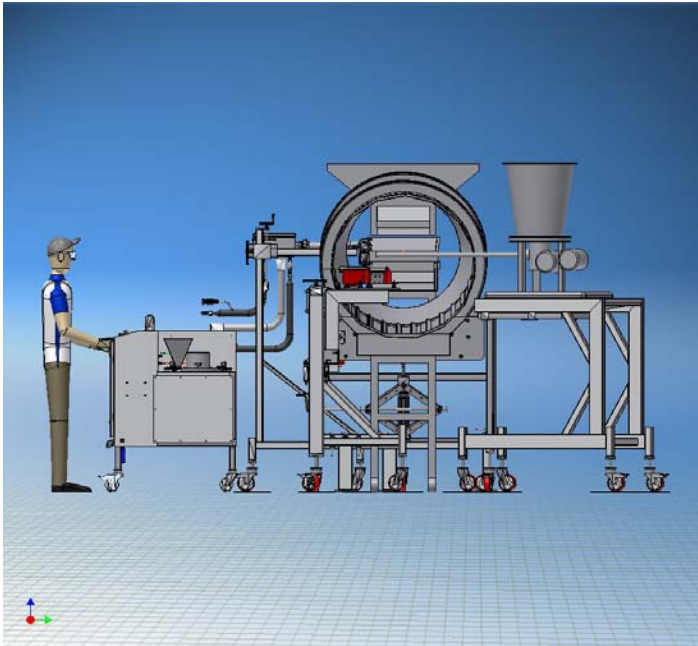
A range of equipment from an add-on Dispenser for immediate payback, to fully specified Arcall supplied systems, incorporating market leader component equipment. Coordinated supply with ownership of all the interfaces.

- Bulk Feed Hopper
- Regulated Product Feed
- Vibratory Weigh Conveyor
- Gentle Flighted Tumble Drum
- Closed Loop Oil or Slurry Spray Systems
- Flavour Hopper and Fill Systems
- Dry Powder Flavour Dispenser
- Outfeed Solutions
- Flavour adhesion improvement
- Improving distribution of flavour
- Reliable equipment
- Simple to use
- Customised solutions
- Recipe or Manual driven HMI

Arcall are the Flavour and Liquid Specialists for all coating processes

Engineering Quality For Food

Arcall FS: Innovative Application Systems



Powder Flavouring Options

FS Dispenser:

Motorised Flavour Dispenser Disc creating an even spray of powder onto the tumbling product. Can be added-on to existing systems, improves adhesion and reduces waste

Metered Powder Feed

Metering screw feeder, options for mass or volumetric control. Fully integrated into the control system

Tumble Drum

Soft Flights creating a rolling action in the drum resulting in low breakage. A continuous roll of product ensures consistent application of flavour

Oiling & Powder Flavouring System

Arcall Closed Loop Flavour Proportioning System

This system ensures a closed loop of Oil and Flavouring application in proportion to Product Mass. Full analytical Reporting available for verification of fat levels.

Arcall Oil Spray Systems

Specifically developed for food applications, the CLO and CLO/E provide a highly accurate controlled continuous spray of oil directed at the product with minimal mist or line contamination.

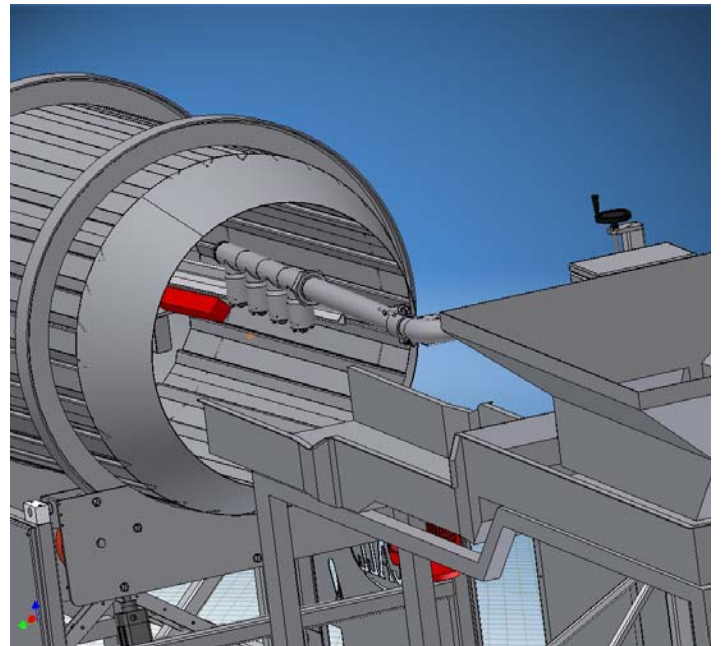
Slurry Flavouring Systems

Arcall Slurry Spray Systems

Developed from the CLO spray system, the slurry version provides excellent mass flow control, with an even and consistent spray pattern of slurry

Arcall 700S Cross Band Spray System

The 700 range of Spinning Disc Slurry Applications are designed for spraying sheeted products as they exit an oven or dryer. The latest improvements in cross band accuracy ensure that fat level targets can be guaranteed



Special Coating Systems

Spray Trials

The Arcall range of application systems can be customised to suit your particular requirement. Whether you are looking for low fat, no fat, or a development of a confidential new product, Arcall can help with trials at your site or in our facilities.

UK - Arcall plc
Westminster Road, Wareham,
Dorset BH20 4SR England
Tel: +44 (0) 1929 554884
Fax: +44 (0) 1929 554466

Web: <http://www.arcall.co.uk>
E-mail: sales@arcall.co.uk
USA: sales@arcall.com

USA - Arcall Inc
c/o Turkington USA LLC
8182 US 70 West
Clayton, NC 27520

Tel: 1 919 735 4570 Fax: 1 919 735 5275