

# Arcall 700 range General Oil Spray Machine



## Cracker Oiling

The Arcall 700 is a range of spray machines that use the spinning disc method to spray oils, water and other liquid coatings into baked crackers, biscuits, pizza bases etc

Several different model types are available to meet production requirements, examples are:

- Arcall 710: a simple top spray only machine.
- Arcall 710b: top & bottom spray
- Arcall 710s: top spray with slurry spray capability

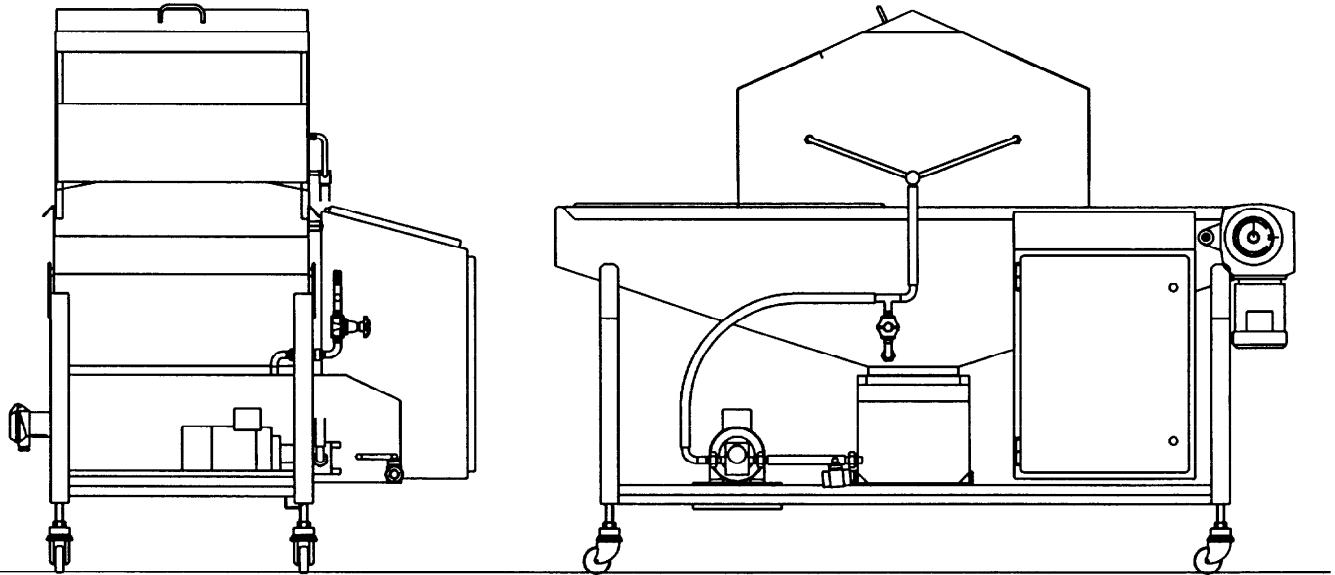
**T**he Arcall 700 uses our proven and up-to-date technology, giving unequalled reliability, easy operation, hygiene and conformity to all current regulations.

The spinning disc technology used to spray the oil, does not have any nozzles, and is a blockage free system. Arcall's new 600i designs give you the most hygienic and accurate disc spray ever.



**Engineering Quality For Food**

# Arcall 700 Oil Spray Machine



*Arcall 706 Top spray only*

## Features

- Top spray with spinning discs
- Fine control of application
- Consistent across belt application rate
- Easy to Clean and Maintain
- Downtime elimination
- Hygienic

## Options

- Filtermist
- Bottom Spray with spinning discs
- Cross conveyor
- Outfeed Drain Conveyors

## Dimensions

	<b>706</b>	<b>710</b>	<b>712</b>
Machine Conveyor Length	2000mm	2000 mm	2000 mm
Machine Fabrication Internal Width	710 mm	1250 mm	1472 mm
Standard Conveyor Width	600 mm	1143 mm	1372 mm
Operating Width (recommended)	550 mm	1000 mm	1200 mm
Machine Height (plus adjustment and beacon)	1572 mm	1572 mm	1572 mm
Minimum Conveyor Height (plus 50mm adjustment)	1000 mm	1000 mm	1000 mm

**UK - Arcall plc**  
 Westminster Road, Wareham,  
 Dorset BH20 4SR England  
 Tel: +44 (0) 1929 554884  
 Fax: +44 (0) 1929 554466

Web: <http://www.arcall.co.uk>  
 E-mail: [sales@arcall.co.uk](mailto:sales@arcall.co.uk)  
 USA: [sales@arcall.com](mailto:sales@arcall.com)

**USA - Arcall Inc**  
 c/o Turkington USA LLC  
 8182 US 70 West  
 Clayton, NC 27520  
 Tel: 1 919 735 4570 Fax: 1 919 735 5275