

Arcall Oven Band Oilers



Precision Oven Band Oiling

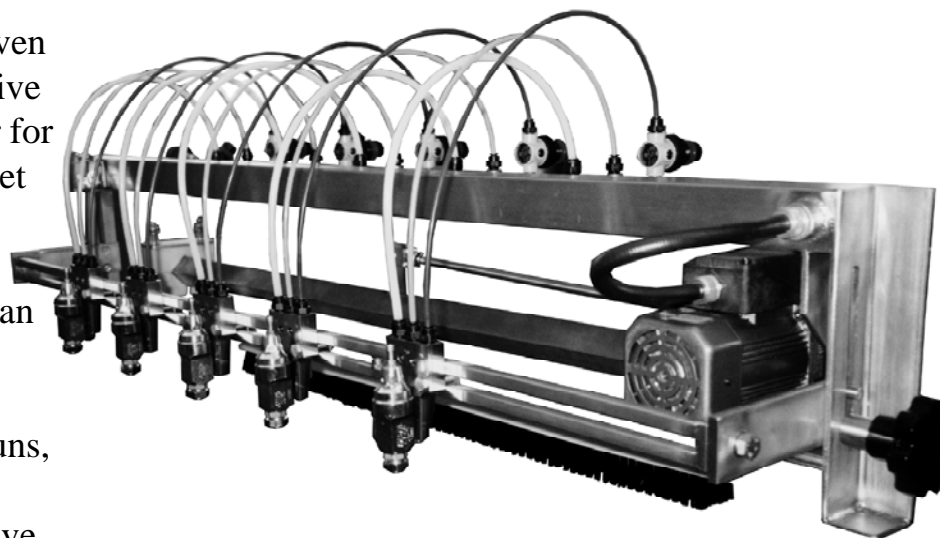
Arcall offers an oven band oiler to suit every eventuality. Whether you want a very small quantity of release agent to be spread evenly over the whole oven band, or a precise quantity sprayed onto a particular spot. Arcall offers a system that can do it for you:

- **Gun and Brush** - apply the release agent, with spray gun or drip bar, and spread it evenly
- **Metering Pump** - very accurate deposit and controlled greasing, for special products
- **Spinning Disc Spray** - Medium to high application rates the spinning disc Arcall Band Oiler gives unbeatable reliability with ease of use, and non-contact hygiene

Features & Benefits

When a product requires oven band oiling, whether to give a damage free release, or for speciality baking results, it pays to get the right application system.

- Protects oven band for longer life
- Spray without misting - easy to clean
- Non-contact application options, improves hygiene
- Precision low atomisation spray guns, saves money by reducing waste
- Special metering pump systems, give the exact result for perfect product
- Food quality brushes, for hygiene and peace of mind

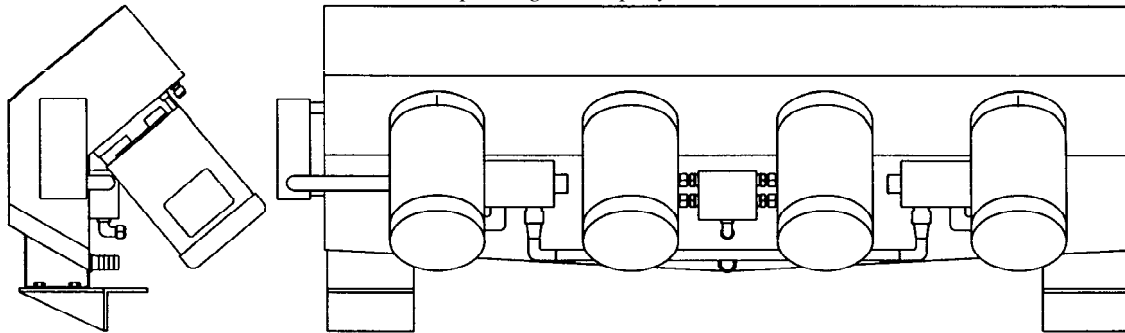


Arcall gun and brush band oiler

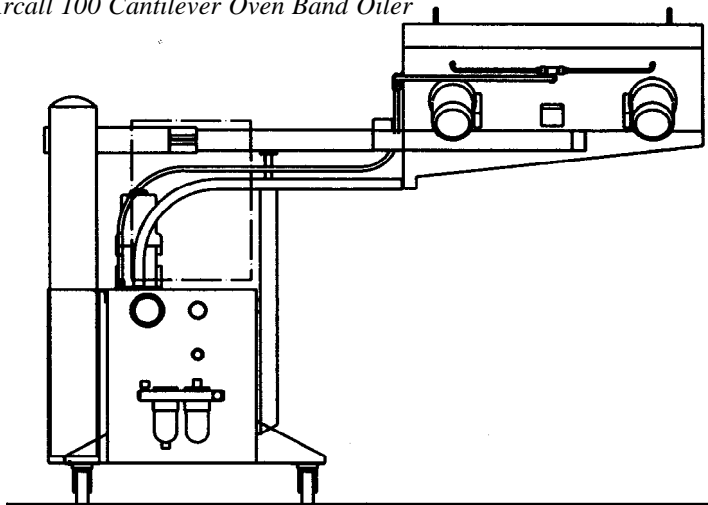
Engineering Quality For Food

Arcall Oven Band Oilers

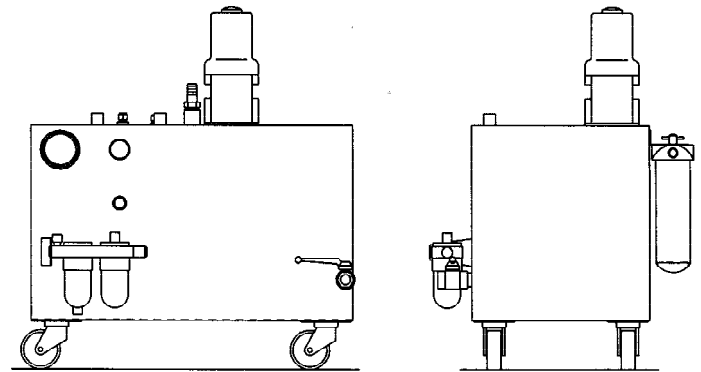
Spinning Disc Spray Head



Arcall 100 Cantilever Oven Band Oiler



Mobile Band Oiler Tank



Technical Data

Choice of Application Methods:

- Drip Bar and Brush
- Spray Gun and Brush
- Spinning Disc Spray
- Metered Applicator, or Special Process

To Suit Band Widths:

- From 300 mm to 1600 mm wide - to suit

Control System:

- Push Button Controls
- Analogue Timers
- Programmable Selector (PLC)

Mounting Options:

- Free standing mobile unit with integral tank
- Applicator mounted on oven fabrication
- Applicator as permanent fixture on own frame
- Removeable onto mobile trolley

Release Agents:

- Compatible with all known release agents
- Ask for confirmation

Tank and Pumping Options:

- As integral part of applicator
- Mobile free standing tank
- Pneumatic pump as standard
- Metering pneumatic pump

UK - Arcall plc

Westminster Road, Wareham,
Dorset BH20 4SR England
Tel: +44 (0) 1929 554884
Fax: +44 (0) 1929 554466

Web: <http://www.arcall.co.uk>
E-mail: sales@arcall.co.uk
USA: sales@arcall.com

USA - Arcall Inc

c/o Turkington USA LLC
8182 US 70 West
Clayton, NC 27520
Tel: 1 919 735 4570 Fax: 1 919 735 5275